

Protective caps

SPECIFICATION

Types

- Type **A**: Protective cap without screw / threaded bushing
- Type **B**: Protective cap with threaded bushing

Protective cap

Rubber (CR)

- Hardness 85±5 Shore A
- black

Threaded bushing

Steel

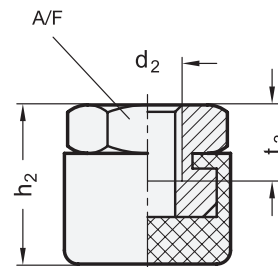
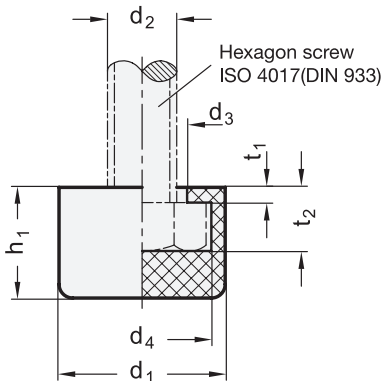
zinc plated, blue passivated

INFORMATION

Protective caps GN 806 can be used with hexagon screws ISO 4017 or together with threaded pins type B as thrust pins with soft clamping head surface, or as soft end stop bolts. A typical application is in conjunction with toggle clamps.

TECHNICAL INFORMATION

- Elastomer characteristics (see page A32)



GN 806

Description	d1	d2	d3	d4	h1	h2	A/F	t1	t2	t3 min.	⚖
GN 806-11-A	11*	M 4	5.5	8.2	6.5	-	-	1	4	-	1
GN 806-12-A	12	M 5	7	9.3	8	-	-	1.5	5.3	-	1
GN 806-15-A	15	M 6	8.5	11.5	10	-	-	2	6	-	2
GN 806-19-A	19	M 8	11	15	13	-	-	2	7.5	-	3
GN 806-24-A	24	M 10	13	20	16	-	-	2.2	9.2	-	6
GN 806-26-A	26	M 12	16	22	19	-	-	2.5	10.5	-	9
GN 806-12-B	12	M 5	7	9.3	8	11	10	1.5	5.3	6	4
GN 806-15-B	15	M 6	8.5	11.5	10	14	12	2	6	7	7
GN 806-19-B	19	M 8	11	15	13	18	16	2	7.5	8.5	16
GN 806-24-B	24	M 10	13	20	16	23.5	21	2.2	9.2	10	38
GN 806-26-B	26	M 12	16	22	19	26	22	2.5	10.5	12	43

* Protective caps d1 = 11 are not available in Type B (with a threaded bush)